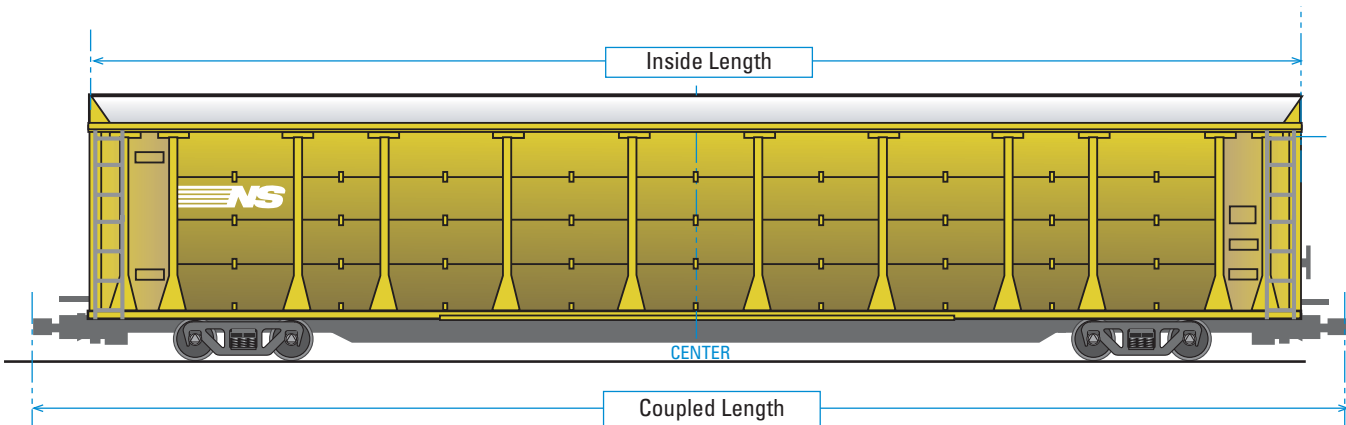


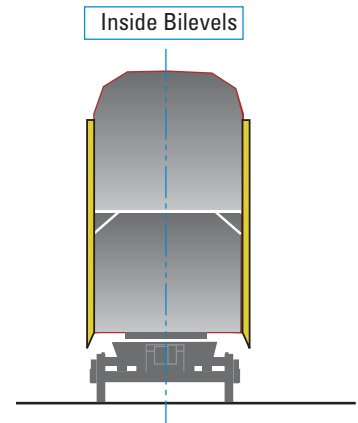
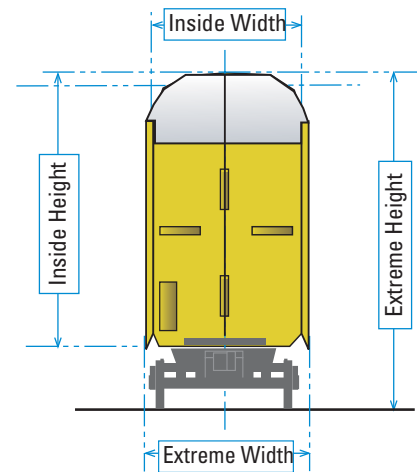
Bilevel



DESCRIPTIONS

Bilevel Ranges

- Load Limit 40,001 lbs of vehicles symmetrically loaded on each deck
- Number of Vehicles Per Rail Car 5 vehicles up to 17' 6" long/deck 6 vehicles up to 14' 6" long/deck
- Bottom Deck Clearance ("A" Deck) 7' 0" to 7' 7" ; 7' 3" standard
- Top Deck Clearance ("B" Deck) 7' 7" to 8' 0" ; 7' 11" standard
- Loadable Length..... 89' 4" standard
- Loadable Width 9' 0" standard
- Overall Height..... 19' 0" ATR standard
- Underframe Hydraulic draft gear
- Special Features Wheel chocks, tiedown chains
- Major Commodities Vehicles up to nominal 7' 1" height



Actual dimensions may vary.