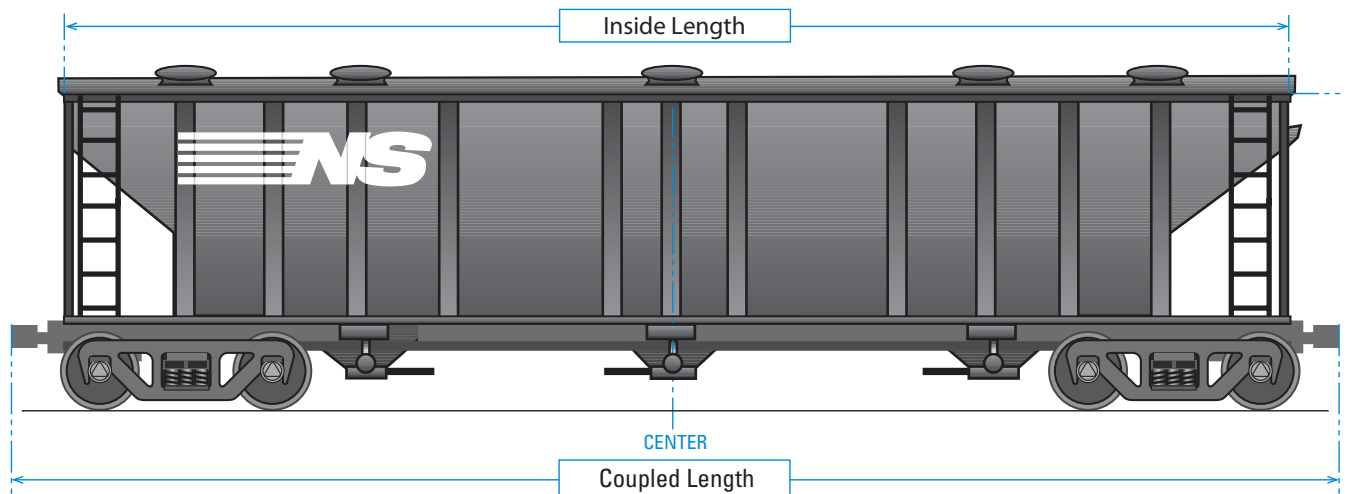


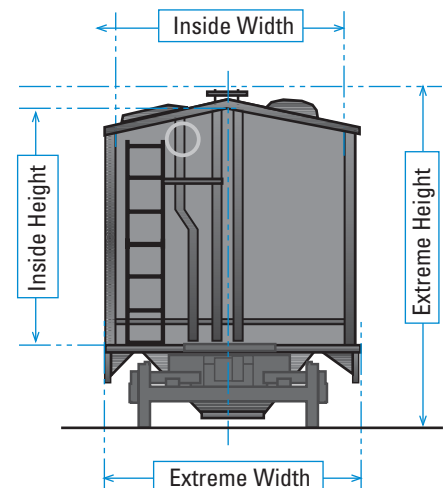
Medium-Cube Covered Hopper



DESCRIPTIONS

Medium-Cube Covered Hopper Ranges

Load Limits	157,900 to 213,800 lbs
Cubic Capacities	3,500 to 4,000 ft ³
Coupled Lengths	49' 6" to 52' 1"
Outside Widths	10' 3" to 10' 8"
Gate Configuration.....	Gravity
Gate Dimensions.....	13 in. x 24 in.; 26 in. x 3' 6"; 28 in. x 3' 6"
Hatch Types	Round, trough
Number of Hatches	(round) 10 to 18
Car Material	Steel, aluminum
Major Commodities	Clay, non-metallic ores, fertilizers, sand, phosphates, bauxite



Actual dimensions may vary.