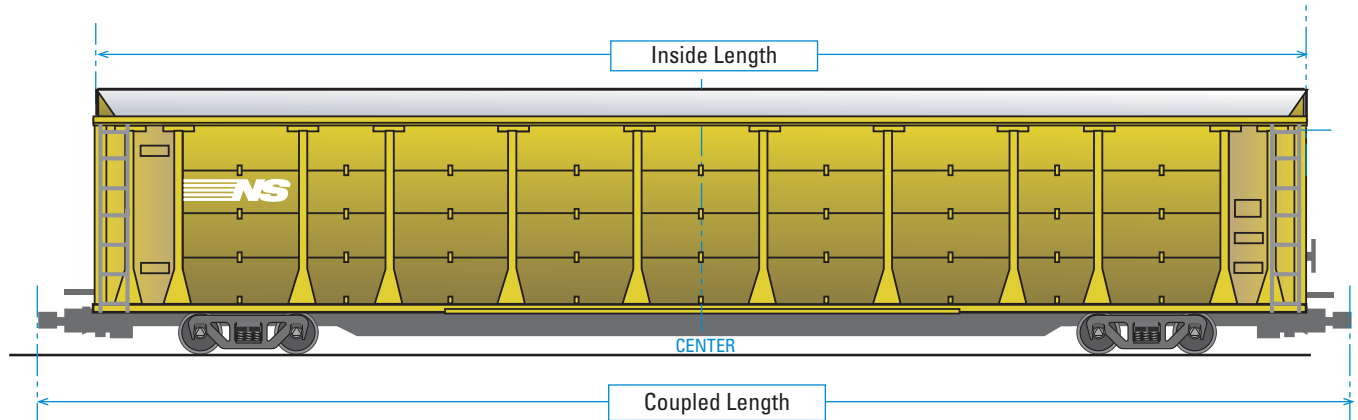


Trilevel



DESCRIPTIONS

Trilevel Ranges

Load Limits 24,000 lbs of vehicles symmetrically located on each deck

Number of Vehicles
Per Rail Car 5 vehicles up to 17' 6" long/deck
6 vehicles up to 14' 6" long/deck

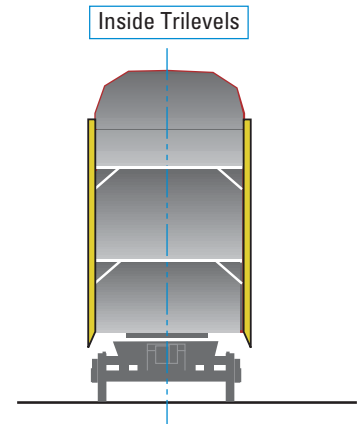
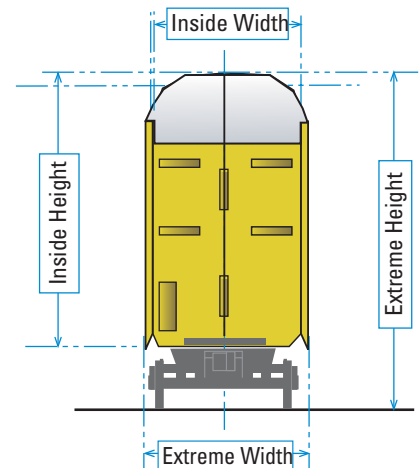
Bottom Deck Clearance ("A" Deck) 5' 1" to 5' 3"; 5' 2" standard
Middle Deck Clearance ("B" Deck) 5' 1" to 5' 3"; 5' 2" standard
Top Deck Clearance ("C" Deck) 5' 3" to 5' 6"; 5' 6" standard

Loadable Length 89' 4" standard
Loadable Width 9' 0" standard
Overall Height 18' 6" to 20' 2", 19' 0" ATR standard

Underframe Hydraulic draft gear

Special Features Wheel chocks, tiedown chains

Major Commodities Vehicles up to nominal 5' 0" height



Actual dimensions may vary.